

1 2 3 4 5

A

B

C

D

E

F

G

A

B

C

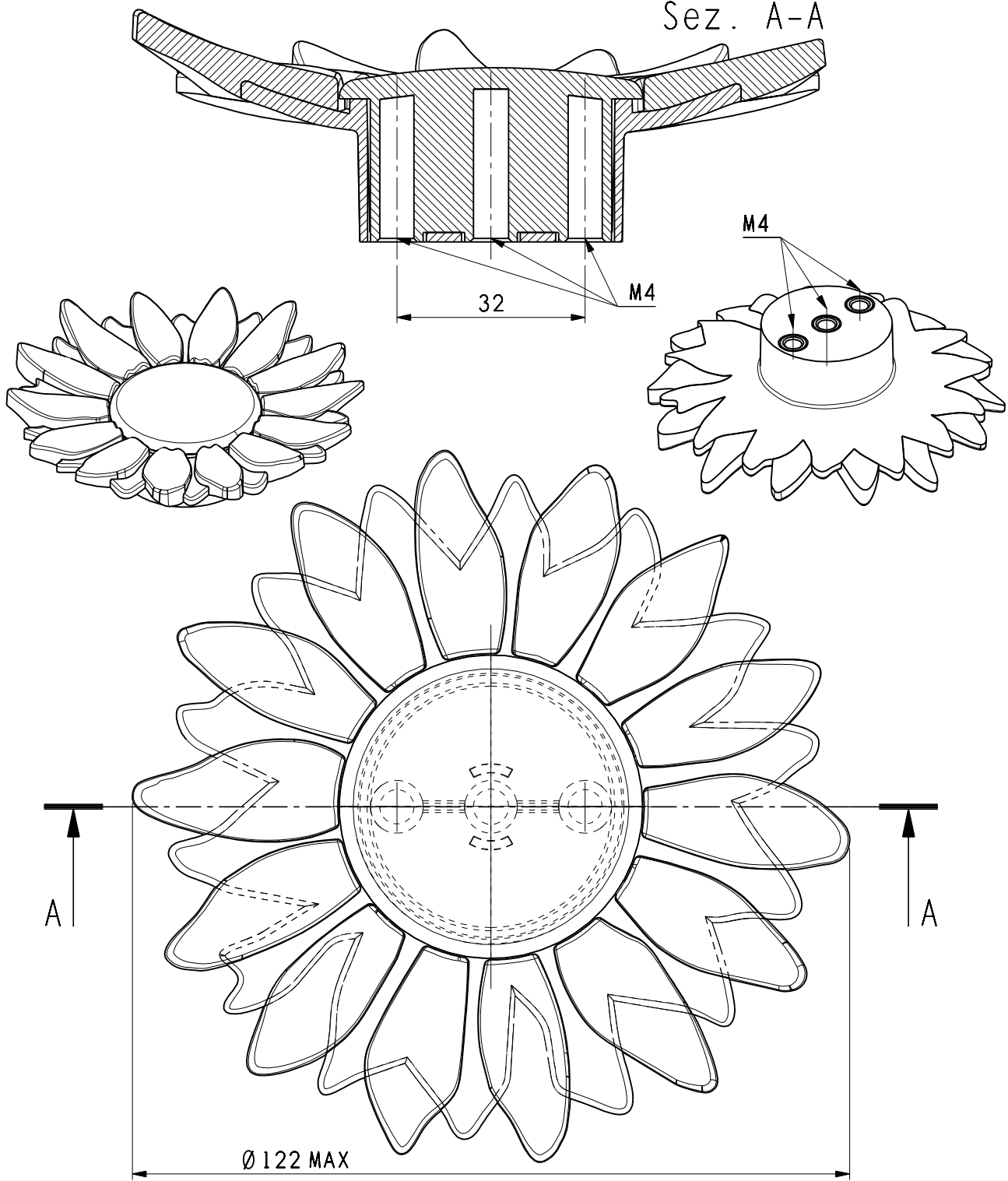
D

E

F

G

Sez. A-A



MATERIAL: ABS + TPE

REV	POSITION	DESCRIPTION	DATE	NAME
			UNIT mm	TYPE DRAFT DRAWING
FILENAME ****		CREATED BY ****		FORMAT A4
CLIENT ****		CREATION DATE ****		REVISION ***
ART. 1073		PART CODE 		SHEET 1 / 1
PROJECT NAME ****		TOOL CODE 		****
		CHECKED BY ****		CHECKED_DATE ****

1 2 3 4 5